

DROP

Reverse Osmosis System



Pure and Simple

DROP has elevated your standard Reverse Osmosis System to a whole new level. The DROP RO offers quick change for the filters and the RO Membrane. The DROP RO also features built-in UV disinfection.

Text, email or push notifications notify when it's time to change your filter.



Features

- Quick Change Filters & RO Membrane
- Built-in Leak Protection
- TDS Monitoring of Feed & Product Water
- Text, Email & Push Notifications for Filter Changeouts
- Built-in UV Disinfection
- Atmospheric Storage – No Backpressure On Membrane for faster RO water production
- Built in Feed & Delivery Pumps for Optimal Pressure
- WiFi Connectivity Through DROP Hub

Benefits

This simple system fits right under your sink and gives you crystal clear, great tasting water. The DROP RO does this by reducing contaminants including chlorine, lead, pesticides, fluoride, pharmaceuticals, arsenic and bacteria. Additionally, the RO eliminates the sediment in your water.

The DROP RO will give you water with improved taste, odor and appearance.

DROP Hub

The DROP Reverse Osmosis System is capable of purifying your water without a DROP Hub, however, you will not have the capability to monitor the system via the DROP App or receive any notifications from the system. The Hub is the wireless connection to everything on the DROP Smart Water Management system. It integrates all of your residential water devices together.

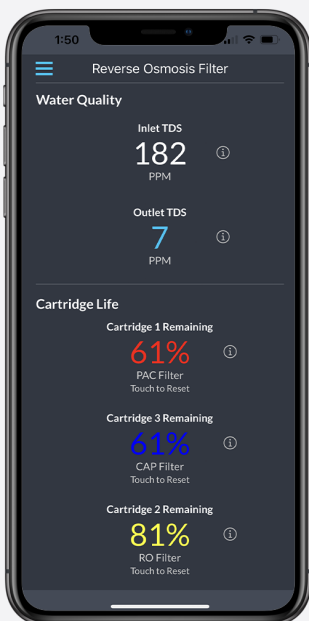


Model

D-RO

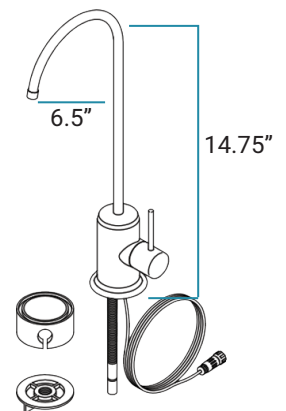
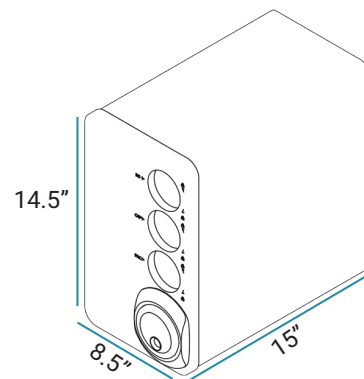
| | |
|----------------------------------|--------------------------------|
| Dispenser Pump Flow Rate | 0.6 gpm |
| Production Rate | 75 gallons per day |
| Efficiency Rating | 1:1 (most RO filters are 4:1) |
| Maximum TDS | 1000 ppm |
| Drain (reject water) Flow | 0.1 GPM (only while filtering) |
| Storage Tank Capacity | 2.1 gallons |
| Dimensions | 14.5" X 8.5" X 15" |

| Cartridge | Treatment | Filtration | Water | pH Level |
|--------------------------|--|---------------|---------------|----------|
| RO-RO | Removes small molecular organic matter, colloids, microorganisms | 0.0001 micron | 41 ° - 95 ° F | NA |
| RO-CAP | Removes odor to improve the taste of drinking water | 1 micron | 41 ° - 95 ° F | NA |
| RO-PAC | Removes dirt corrosion, sand, chlorine and other suspended solids | 5 microns | 41 ° - 95 ° F | NA |
| RO-MPC (Optional) | Cartridge boosts the pH and adds beneficial minerals magnesium and calcium to the drinking water | NA | 41 ° - 95 ° F | 7.5-8 |



The DROP App's Dashboard gives you direct access to your drinking water quality and cartridge status, all in one convenient location.

DROP offers both a web and a mobile app. This gives you total control over your Reverse Osmosis System from anywhere in the world, at any time, on your computer, or on your mobile app. See everything from the custom dashboard, receive usage alerts and reports, find support, get onboarding and troubleshooting tips, -and much, much more.



DROP

Chandler Systems Inc.
710 Orange St.
Ashland, OH 44805

P | 833-289-3767
F | 419-281-2375
drop.pro
chandler-systems-inc.com

For the most up-to-date list of patents, visit our patents on our website: drop.pro/patents

